

THULE Pacific 200

6312/631200

5 *års garanti*
years warranty
Jahre Garantie
ans de garantie

Technical approval:

TÜV/GS DIN 75302 (Germany).

Materials:

Special UV-protected and impact resistant box material.

Colour:

Lid - Grey

Bottom - Anthracite

Method of manufacture:

Vacuum forming.

Assembly:

Fast-Grip 90mm mounting system. Sliding in front and rear.
540-960 mm bar distance.

Dimensions/Weight:

Length: 1750 mm

Width: 820 mm

Height: 450 mm

Volume: 460 litres

Weight: 14 Kg

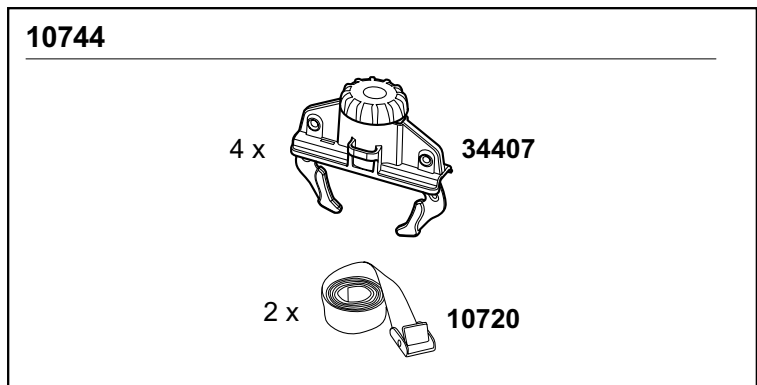
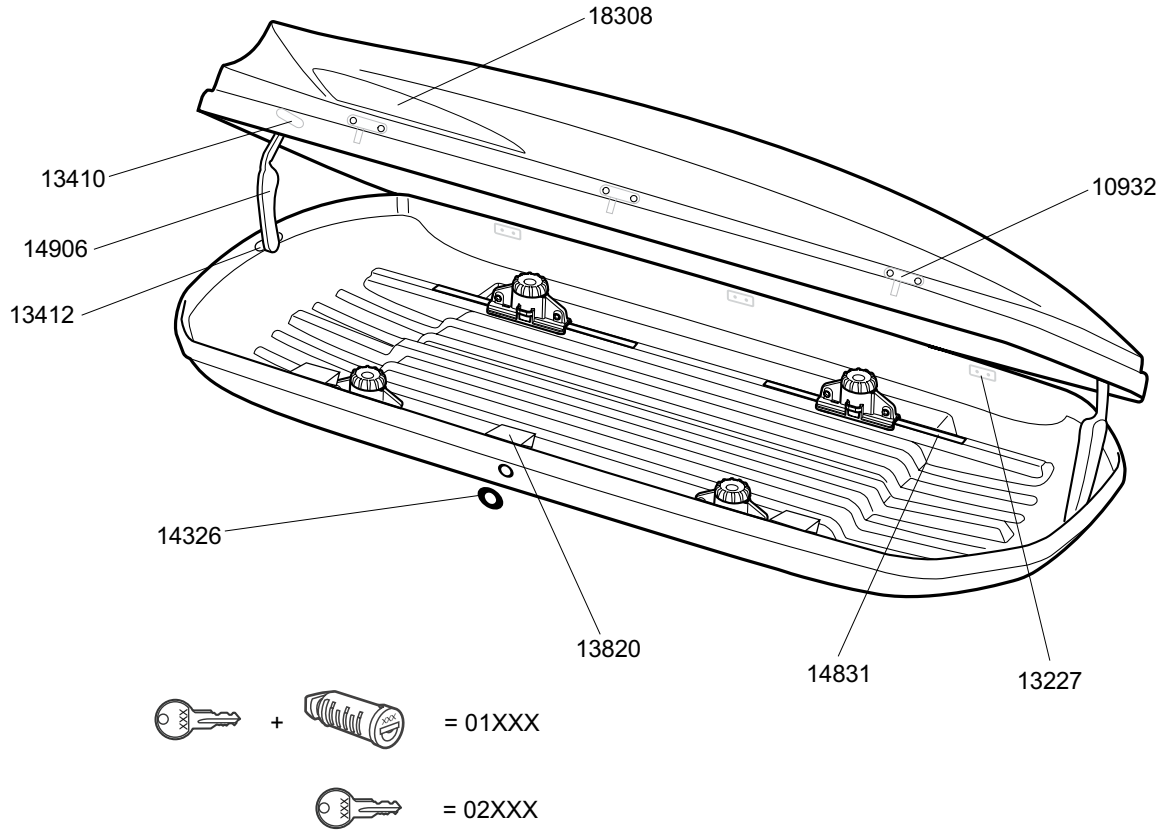
Load:

Maximum load: 50 kg. Observe vehicle manufacturers instructions and maximum roof load.



- Single side opening system.
- Special UV-protected and impact resistant box material.
- Dual-Force lid opener.
- TÜV/GS-approved.
- Central locking system.
- Fast-Grip 90mm mounting system. Sliding in front and rear.
- Featuring THULE's One Key System.

THULE Pacific 200



Packaging

Product	EAN	Kg	L/W/H in cm
6312	4002253000581	14	1750/820/450

Product	Boxes/Trailer
6312	90 pcs